

# MW-MLD-5050-3RGBW



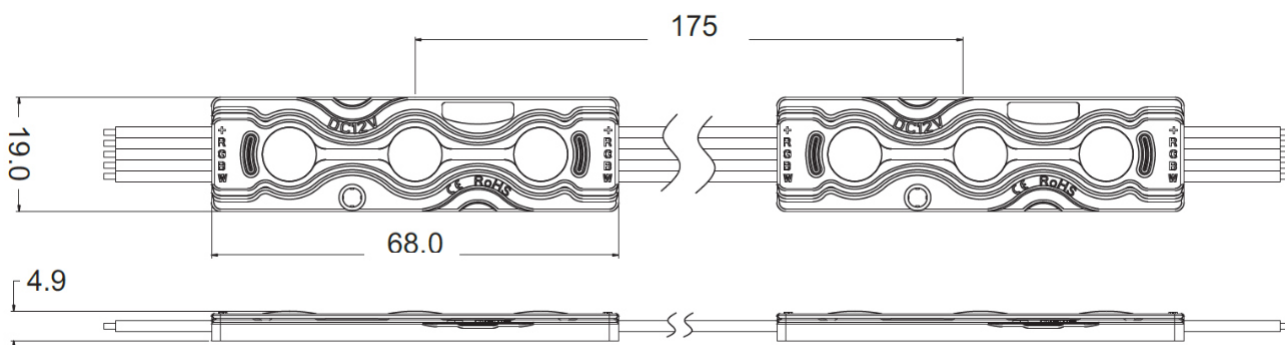
8-25 cm

3D letters, lightboxes



- luminous efficacy 21 lm/W
- built-in heat sink plate
- for indoor and outdoor use
- 20 pcs in chain

## DIMENSIONS



# MW-MLD-5050-3RGBW



## TECHNICAL SPECIFICATION

Parameter	Value
Rated voltage	12 V DC
Power consumption per module	0,96 W
Chain power consumption	19,2 W
Current consumption per module	80 mA
LED diodes	San'an led - 5050
Quantity of LEDs	3
Light color	RGBW = red, green, blue, white - 6500K
Flux	20 lm
Flux density	21 lm/W
Color rendering index CRI	≥70 (on request ≥80, ≥90, ≥95)
Beam angle	120°
Current stabilization	Yes
Dimming	Yes
Module dimensions (L × W × H)	68 × 19 × 5 mm
Cable length	107 mm
Number of modules in 1 m	5,7
Box weight	18 kg
Montage	Adhesive tape / mounting screw
Lifetime	L70B50 > 50000h
Working temperature	-25°C ... +55°C
IP protection	IP65
Warranty	5 years

# MW-MLD-5050-3RGBW



## CONNECTION DIAGRAM

One-side power input



**Maximum number of modules 20 pcs**

Two-side power input



**Maximum number of modules 40 pcs**

It is acceptable to connect multiple chains in parallel, as long as the power supply provides sufficient power.

## LIGHT COLOR / CCT

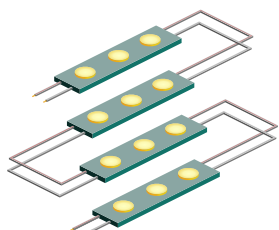
Abbreviation	Light color	CCT
WW	warm white	~3000K
NW	neutral white	~4000K
W	white	~6500K
CW	cold white	~10000K



# MW-MLD-5050-3RGBW



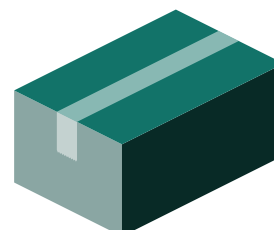
## PACKING



Chain  
**20 pcs**



Bag  
**120 pcs**



Box  
**1440 pcs**

## OTHER NOTES

The 3M tape placed on the device is only used to pre-attach and position the LED modules. Use your own glue or mounting screw to securely and permanently attach the item to the surface.